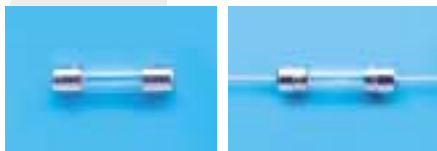


## Type 5MF / 5MFP Fast Blow Fuse Series

5 x 20mm Glass Tube  
RoHS Compliant

5MFD1005



### Electrical Characteristics (UL/CSA STD. 248-14)

Testing current	Blow Time	
	Minimum	Maximum
100%	4 Hrs.	N/A
135%	N/A	1 Hr
200%	N/A	5 Sec

### Approval



Safety Agency Approvals	Type	Amp range / volt @ I.R. ability
UL <sub>US</sub> Listed File No. E20624	5MF / 5MFP	80mA - 3A / 250V AC@ 200A
CSA Certified File No. LR39772		80mA - 8A / 125V AC@ 10,000A
File No. JET1037-31003-1001, JET1037-31003-1003	5MF / 5MFP	1A - 5A / 125V AC@ 500A
File No. JET1037-31003-1002	5MF	>5A - 15A / 125V AC@ 300A

### RoHS Compliant Product

For RoHS Compliant Version, add suffix "R" after catalog number

### Operating Temperature

-55°C to +125°C

### Physical Specification

#### Materials

Glass body / Nickel Plated Brass Caps

Lead wire:

Tin plated Copper;

Diameter 0.032", 5A and less

Diameter 0.040", 6A and above

#### Marking

On fuse:

"bel", "5MF", "Current Rating", "Voltage Rating", "Appropriate Safety Logos", "V" (RoHS Version)

On label:

"bel", "5MF" or "5MFP", "Current Rating", "Voltage Rating", "Interrupting Rating", "Appropriate Safety Logos" and "PS E" + suffix "R" for RoHS Version

Voltage on fuse:

250V for 80mA to 3A; 125V for rating above 3A

#### Packaging

1. In bulk:

5MF - 1,000 pcs per box; 5MFP - 500 pcs per box

2. On Axial Tape & Reel:

1,500 pcs per reel

3. Tape & Reel specification:

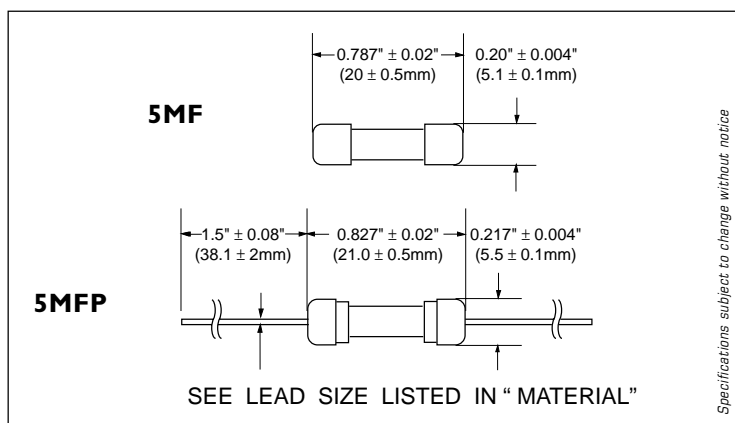
per EIA-296-E & IEC 286-1

@ 10mm Pitch and 63.5mm inside Tape Spacing

Catalog Number	RoHS Suffix	Ampere Rating	Typical Cold Resistance (ohm)	Volt-drop @100% In (Volt) max.	Melting I <sup>2</sup> T < 10 mSec (A <sup>2</sup> Sec)	Melting I <sup>2</sup> T @10 In (A <sup>2</sup> Sec)	Maximum Power Dissipation (W)
5MF (P) 80	-R	80mA	10.2	3.05	0.0004	0.0004	0.32
5MF (P) 100	-R	100mA	7.2	2.65	0.0009	0.0008	0.35
5MF (P) 125	-R	125mA	6.8	3.64	0.0017	0.0015	0.60
5MF (P) 200	-R	200mA	3.4	2.76	0.007	0.006	0.72
5MF (P) 250	-R	250mA	1.4	1.19	0.016	0.014	0.25
5MF (P) 300	-R	300mA	1.3	1.12	0.020	0.019	0.39
5MF (P) 350	-R	350mA	0.906	1.02	0.038	0.032	0.36
5MF (P) 400	-R	400mA	0.557	0.934	0.080	0.084	0.20
5MF (P) 500	-R	500mA	0.467	0.791	0.122	0.118	0.33
5MF (P) 600	-R	600mA	0.390	0.719	0.195	0.195	0.44
5MF (P) 700	-R	700mA	0.312	0.684	0.265	0.267	0.65
5MF (P) 800	-R	800mA	0.253	0.634	0.398	0.399	0.54
5MF (P) 1	-R	1A	0.119	0.201	0.877	0.851	0.26
5MF (P) 1.25	-R	1.25A	0.090	0.189	1.5	1.5	0.31
5MF (P) 1.5	-R	1.5A	0.068	0.178	2.6	2.6	0.36
5MF (P) 2	-R	2A	0.051	0.167	4.4	4.5	0.44
5MF (P) 2.5	-R	2.5A	0.039	0.157	7.6	7.8	0.52
5MF (P) 3	-R	3A	0.029	0.148	13	14	0.59
5MF (P) 3.5	-R	3.5A	0.024	0.141	17	18	0.65
5MF (P) 4	-R	4A	0.021	0.137	22	24	0.72
5MF (P) 5	-R	5A	0.016	0.129	38	41	0.84
5MF (P) 6	-R	6A	0.012	0.121	65	72	0.96
5MF (P) 7	-R	7A	0.010	0.119	88	97	1.10
5MF (P) 8	-R	8A	0.0092	0.117	113	126	1.23

Consult manufacturer for other ratings

### Mechanical Dimensions



Specifications subject to change without notice

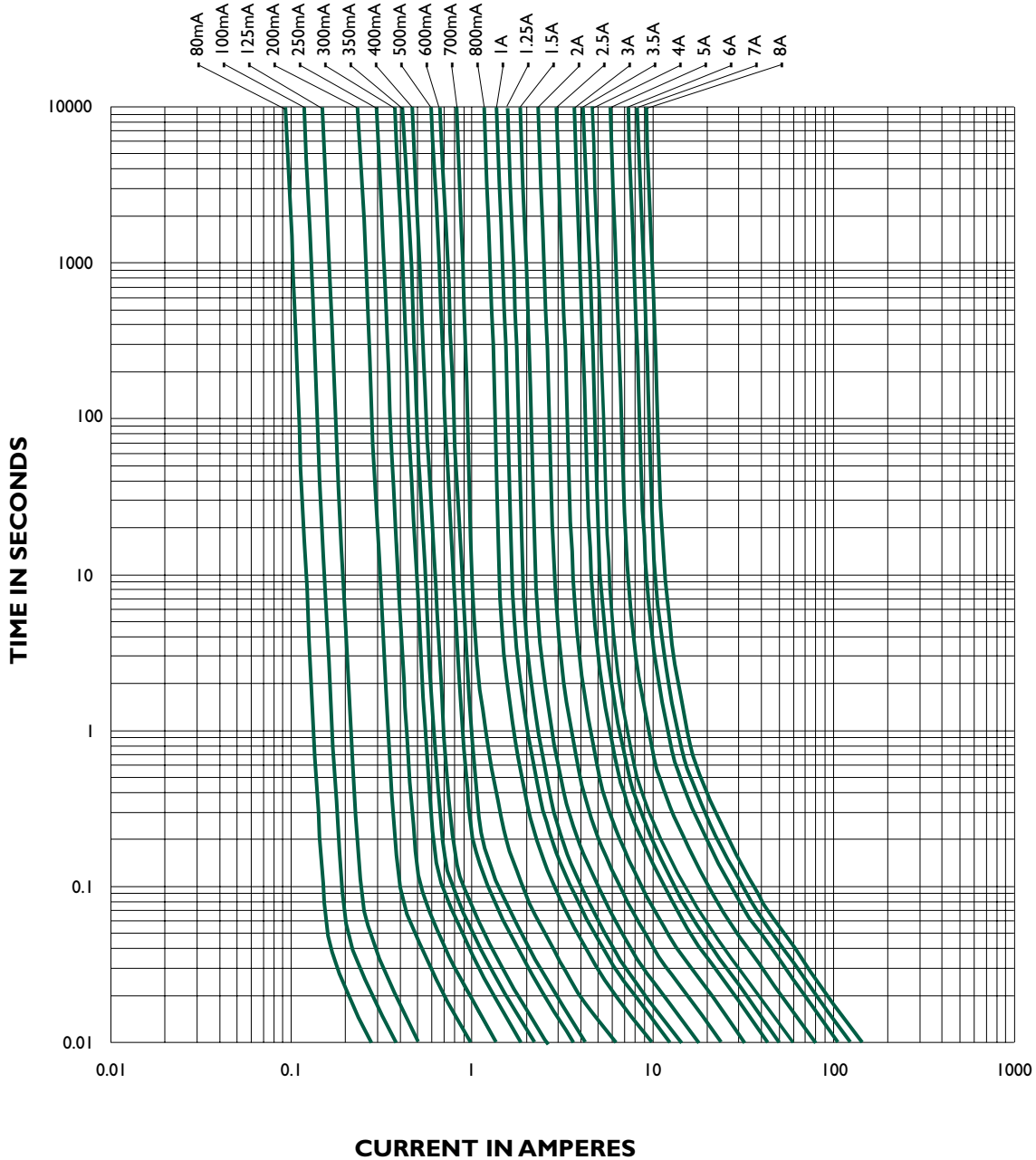
ORDERING INFORMATION SEE LAST 2 PAGES

**Type 5MF / 5MFP**  
Fast Blow Fuse Series

5 x 20mm Glass Tube  
RoHS Compliant

5MFC1005

**5MF / 5MFP - TIME CURRENT CHARACTERISTIC CURVE**



Specifications subject to change without notice

NOTE - see important information under "User Guide" on P.08

**Corporate Office**  
Bel Fuse Inc.  
206 Van Vorst Street, Jersey City, NJ 07302  
Tel: 201-432-0463  
Fax: 201-432-9542  
E-Mail: [belfuse@belfuse.com](mailto:belfuse@belfuse.com)  
Website: [www.belfuse.com](http://www.belfuse.com)

**Far East Office**  
Bel Fuse Ltd.  
8F/8 Luk Hop Street  
San Po Kong  
Kowloon, Hong Kong  
Tel: 852-2328-5515  
Fax: 852-2352-3706

**European Office**  
Bel Fuse Europe Ltd.  
Preston Technology Management Centre  
Marsh Lane, Preston PR1 8UD  
Lancashire, U.K  
Tel: 44-1772-556601  
Fax: 44-1772-888366